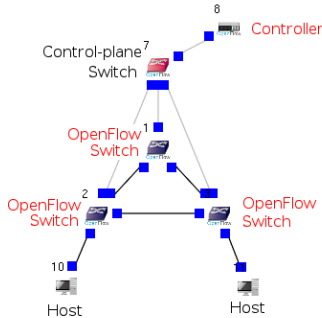


SDN – OpenFlow Switch

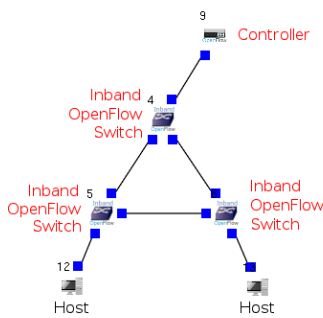
Graphical User Interface

Functional Description

Out-of-band Control Plane



In-band Control Plane



Virtual OpenFlow Switch

- OpenFlow v1.3
 - Controller-to-switch messages
 - Asynchronous messages
 - Symmetric messages
 - Flow table
 - Multiple flow tables
 - All match fields but OFPXMT_OFB_PBB_ISID
 - Group table
 - 4 group types (all, select, indirect, fast failover)
 - Meter table
 - 2 band types (drop and dscp remark)
 - Port
 - All OpenFlow ports but optional reserved ports
 - Counter
 - Per-table, per-flow, per-group, per-bucket, per-meter, per-band, and per-port counters

Virtual OpenFlow Controller

- There is no built-in controller software provided by EstiNet simulation platform. Instead, the platform is compatible with 3rd-party controller software, such as Ryu, OpenDaylight (ODL), NOX, etc.

EstiNet Simulation Platform on Fedora Linux

User Space

Kernel Space

Hardware

